

Installing Trim and Hanging Doors

TASKS 55, 56

Purpose: Install the trim and all doors. This includes baseboard trim, door trim, hinged doors, bypass doors and bi-fold doors.

Tools: Finish hammer, miter saw, level, tape measure, finish nailer or brad nailer, compressor, nail set, and pencil

Safety Issues:

- This is normally a time an air powered nail gun will be used. It installs and sets the nail properly with a minimum of frustration. The safety trigger on the tip must be pressed on the work, and the trigger depressed before the nail will be fired.
- DO NOT override the safety mechanism on the tip of the nail gun. Always have the tip pressed against the material before pulling the trigger.
- ALWAYS make sure no one is in the line of fire even on the other side of material. Nails have been known to go through material and continue with damaging speed.
- Disconnect the air supply from the nail gun when not in use, when fixing jammed gun, or reloading nail strips.
- When hanging doors, keep fingers out of the path of the door and away from hinges. When tilting a door assembly to move it, the door may swing closed or open quickly pinching fingers.

Materials: Doors
Baseboard trim (& corner blocks)
Door trim
Wood shims
Caulking
Spackling
Finish Nails
Finish Nails (Strips for gun)

Inspection Criteria:

Prior to starting, sweep floors to remove all loose objects and trash.
Check openings for proper size, and square.

Installing Trim and Hanging Doors

TASKS 55, 56

Sequence and Methods:

Hanging Swinging doors

- 1 Install the exterior doors and windows as soon as possible after sheeting and Tyvec housewrap so the house can be locked up at night. Always install the door and pre-cut casing before installation of the adjacent baseboard.
- 2 Find the correct door for the opening you are working with. The plans show the door size and swing and doors come labeled as WIDTH-SWING. (If you are standing with your back to the hinge and the door swings left, it's a left hand swing.) Thus, a left-hand swing on a 24" door would be labeled as 24-L. Make sure the door swings the right way according to the plans.
- 3 When hanging a pre-hung door, place a shim under the jamb on each side, this is to allow one side of the jamb to be lowered if necessary to square the door.
- 4 Check if the doorframe is level, if not, check with team leader to see what kind of adjustments are to be made.
- 5 Assuming the frame is square and plumb, place a shim on the floor on either side to allow a side to drop.
- 6 Remove any bracing or block that may be stapled to the bottom of the door assembly. Remove the two set nails holding the door closed. You may want to nail a small block onto the frame to keep the door from swinging open and hitting you as you set it.
- 7 If hanging an exterior door, one side of the door has casing preinstalled. Interior doors do not have preinstalled casing.
- 8 If the door has the casing preinstalled, push the door into the frame until the casing is solidly against the sheathing. If it has no casing, place it so the interior side of the jamb is flush with the drywall.
- 9 Place two shims in opposite directions behind the top hinge; drive a finish nail through the jamb and shims into the frame. Use a standard finish nail and a hammer to put this nail in; do not drive the nail all the way. Leave enough out to remove the nail if necessary.
- 10 Place the level on the top of the jamb, move the shim on the ground under the non-hinge side until the top jamb is level. Remove the nail on the top hinge if more adjustment is necessary.

Installing Trim and Hanging Doors

TASKS 55, 56

- 11 Put the level on the hinge side of the door and shim the middle hinge until plumb. Place a nail here; again leave the head exposed.
- 12 Use the level and repeat this on the bottom hinge.
- 13 Recheck the top of the jamb for level. Make sure the gap along the top of the door is even.
- 14 Place enough shims at the top of the non-hinge side to fill the gap between the frame and the jamb. Use scrap OSB or 2X4 if necessary. Place a nail here; again, don't set it.
- 15 Shim out the middle of the door on the non-hinge side, place shims both immediately above and below the striker plate for security. Shim it so that when the door is closed there is the same amount of gap between the door and the jamb as along the top. **An even gap all around the door is one of the most important visual aspects of a quality door installation.**
- 16 Use a level to shim the bottom also the same way.
- 17 Using the nail gun, shim and shoot nails in the spaces between the existing shims as needed. Do not nail or shim the top of the jamb.
- 18 Check to make sure the frame is still flush with the face of the wall, and when everything looks good, set the nails and spackle.
- 19 When finished hanging swinging doors, replace two of every four screws in each hinge with long screws at least 3" or longer, use these screws in the strike plate as well for added security.
- 20 When installing door casing, leave a 1/4" reveal from the edge of the doorjamb to the casing.
- 21 Apply A SMALL BEAD of foaming sealant around all exterior doors. This foam expands a lot and if you put in too much, it will distort the door and it won't close properly. This sealant stops air leakage around the door.
- 22 If you have a question or concern, **ASK!!**

Installing Trim and Hanging Doors

TASKS 55, 56

Hanging Bypass doors:

- 1 Using a level, nail shims directly to the frame using drywall nails in three places. Do this also to the other side and top.
- 2 Nail a 4 1/2" X 1/2" wide strip of jamb material to those shims to give the frame plumb sides and a level top.
- 3 Hang the tracks, doors, and hardware, according to the enclosed instructions.
- 4 Attach 4 X 4-inch piece of 1/2" OSB to floor at center of door opening. This will be used to attach the door separator hardware.

Hanging Bi-fold doors

- 1 If the opening is not completely wrapped with drywall, install the jamb material as for bypass doors.
- 2 Hang the tracks, doors, and hardware, according to the enclosed instructions.
- 3 Nail extra trim around the face of the door to hide the gaps. Trim must be positioned so it does not interfere with the operation of the door.

Install Trim:

- 1 Install door casing before baseboard. Use precut door casing, and leave a 1/4" reveal of the jamb.
- 2 In carpeted areas leave a 1/4" gap at the bottom of the trim, 1/8" for tile.
- 3 Shoot nails every 8 to 10" staggered along the trim.
- 4 Baseboard can be either mitered at the corners (cut at 45° angles) or corner blocks may be used and the base cut square. Volunteers often find the corner blocks easier to use than cutting the proper length with a miter. Corner blocks are used for both internal and external corners. These are 1/2" x 1/2" mahogany sticks cut into blocks the same height as the base. Cut several dozen pieces (enough for the

Installing Trim and Hanging Doors

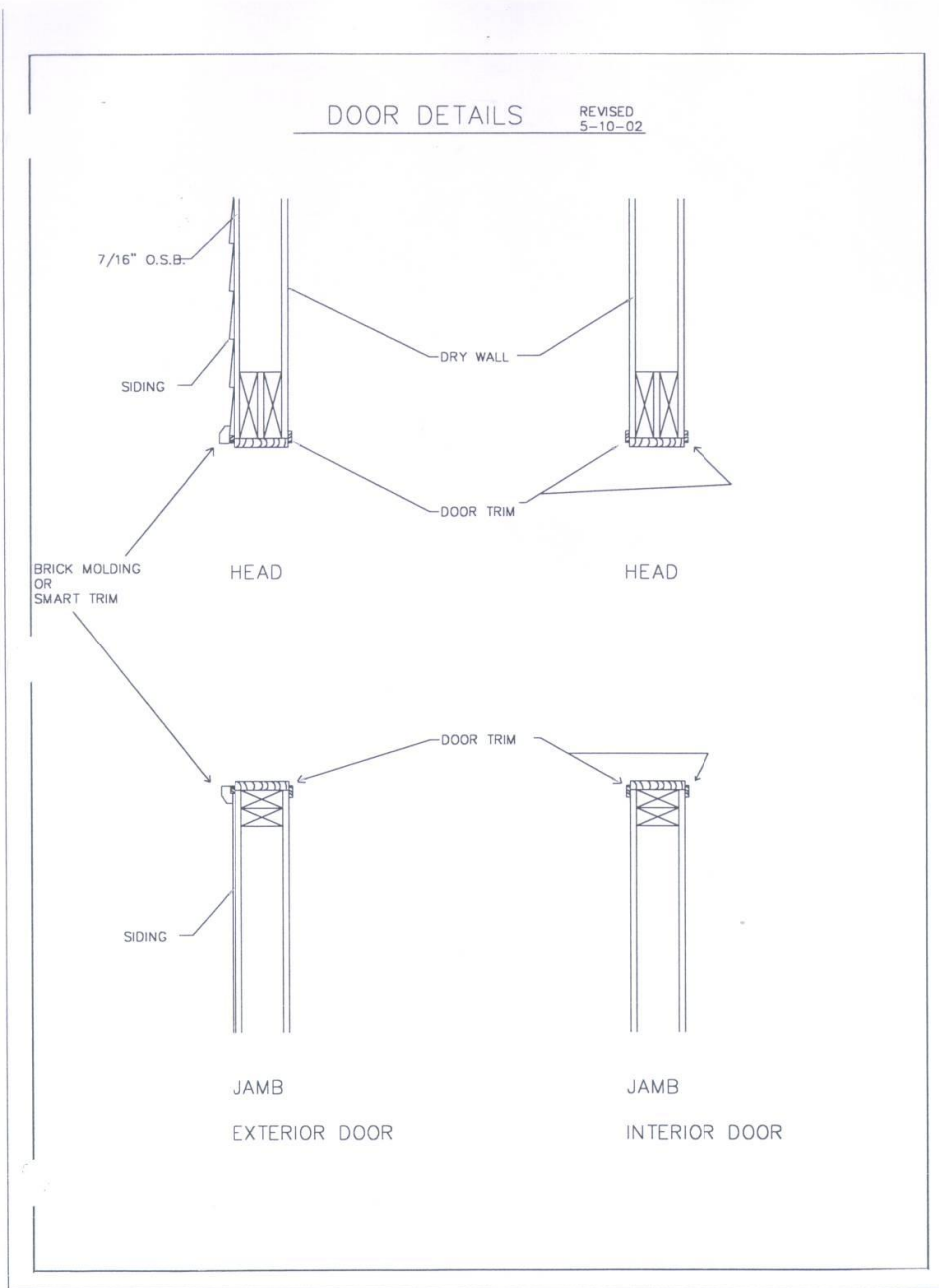
TASKS 55, 56

entire house) and stain and varnish them so they are ready to install with the prefinished base (which is normally “golden oak” color.).

- 5 Fill all nail holes with spackle and caulk all gaps in the trim.
- 6 Trim the attic access with a 1/2" ledge on all sides.

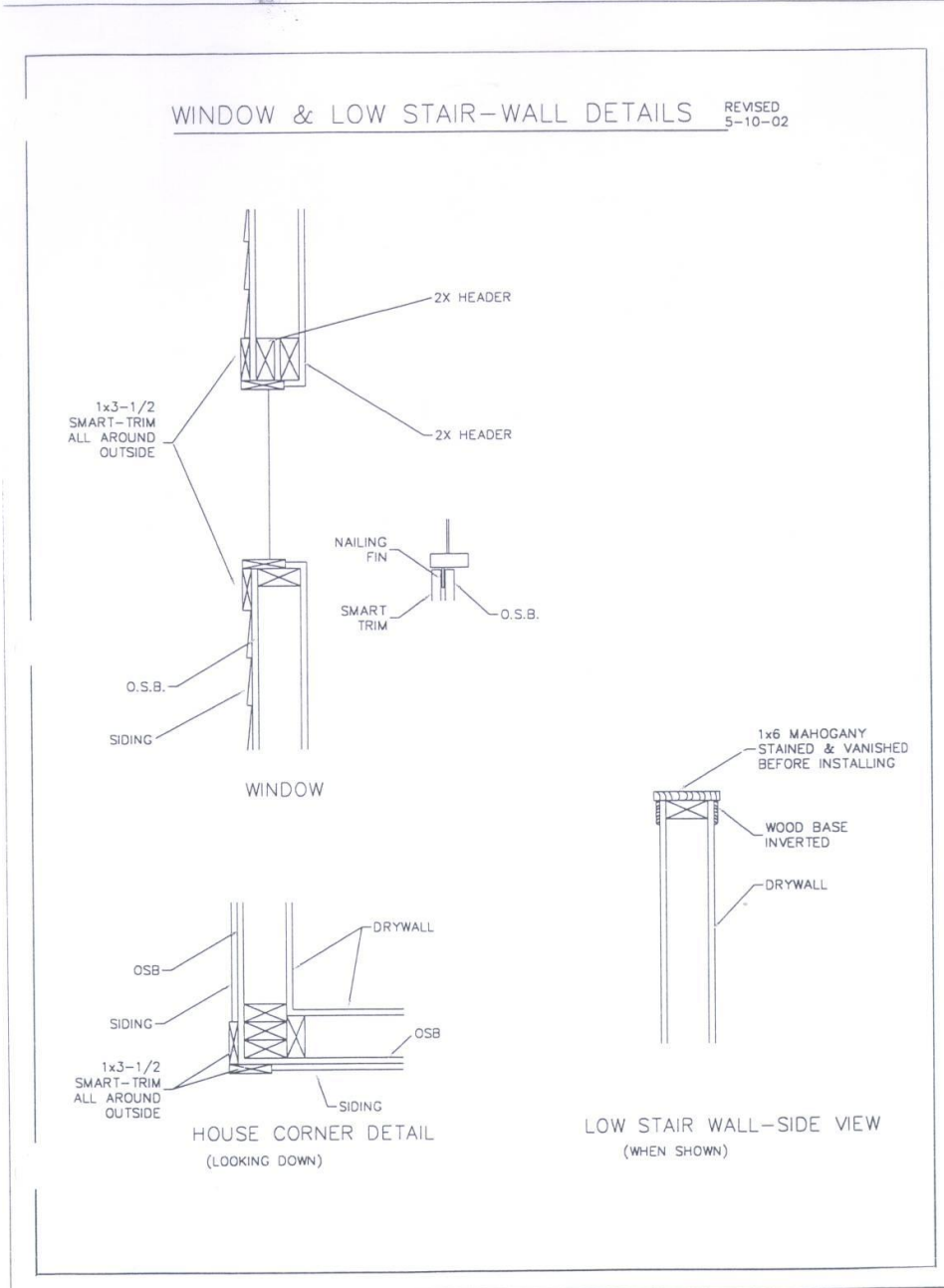
Installing Trim and Hanging Doors

TASKS 55, 56



Installing Trim and Hanging Doors

TASKS 55, 56



Installing Trim and Hanging Doors

TASKS 55, 56

